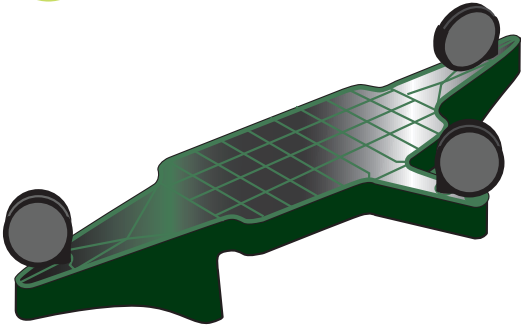


GETTING STARTED:

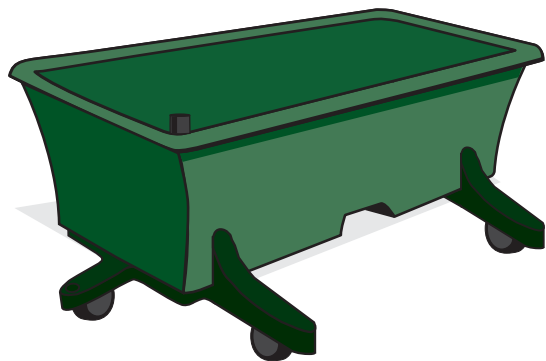
Before you begin, make sure all components are handy. No tools are required, but scissors may be helpful after assembly.

1 Attach Casters (Optional)



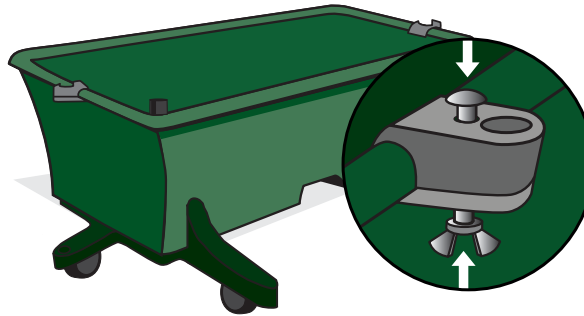
If mobility is desired, turn outriggers upside-down and insert 6 EarthBox® Casters into the sockets (3 on each outrigger). EarthBox® Casters are custom sized, and the use of other casters may cause damage to EarthBox® products. If you don't have EarthBox® Casters, or do not want the system to be mobilized, skip this step and proceed to Step 2.

2 Attach Outriggers



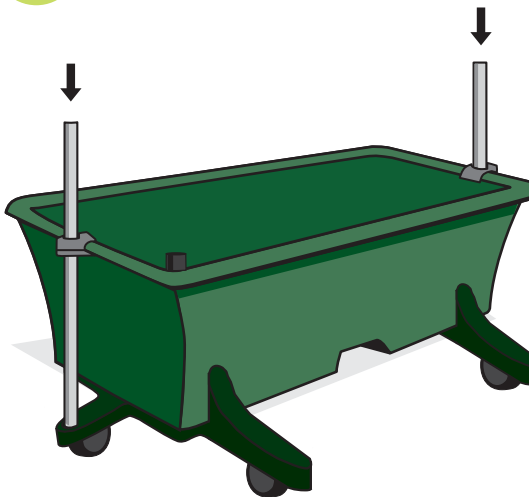
Align outrigger pins with caster sockets on the bottom of the container. Push the outriggers all the way into the sockets.

3 Attach Rim Clamps



Using the included hardware, attach rim clamps between the ribs under the lip, in the middle of each end of the EarthBox® container. Do not over-tighten the hardware.

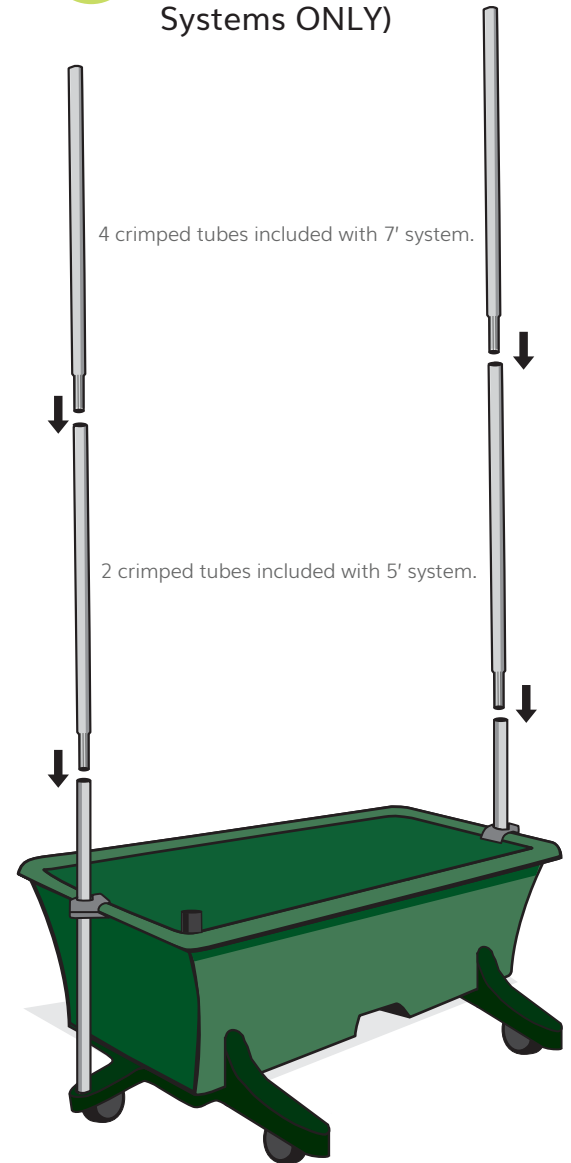
4 Insert Aluminum Tubes



3 tubes are 26½" in length and do not have crimped ends. Insert one of these tubes through the hole in the rim clamp and into the outrigger. Repeat on opposite end.

If assembling a 3' Staking System, skip Step 5 and proceed to Step 6.

5 Insert Crimped Tubes (5' and 7' Staking Systems ONLY)

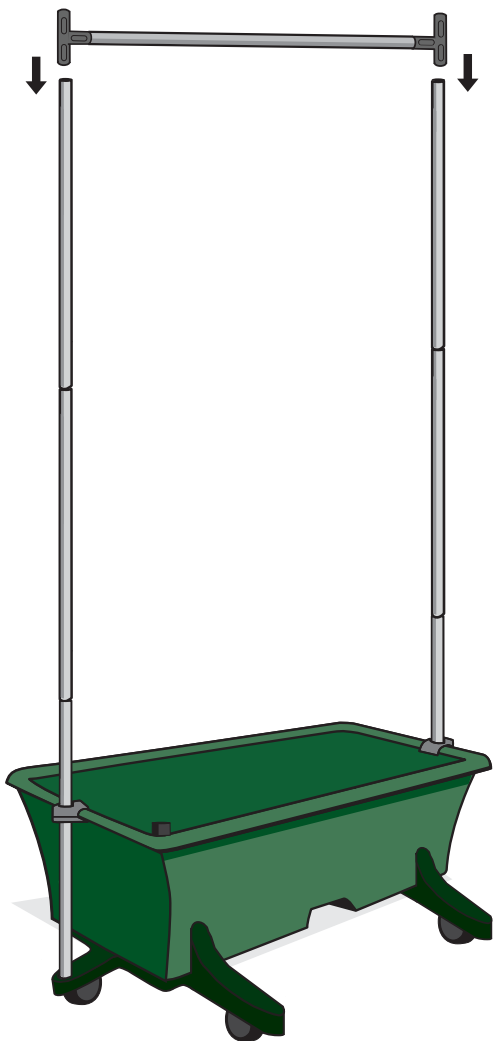


Both the 5' and 7' Staking Systems include 29½" crimped end tubes. Insert the crimped ends into the top of the plain ends on the first set of tubes for the 5' system. Repeat for the 7' system.

6 Assemble and Attach Horizontal Tube



Slide the long sides of the T-connectors into each end of the remaining aluminum tube.



Push the horizontal tube assembly into the top of the aluminum tubes.

7 Hang Trellis Net



(If assembling a 3' Staking System, attaching the Trellis Net is optional, and not required.)

Hang trellis net over top T-connectors of the Staking System. Tie net to the top bar and down each side of the aluminum tubes at equal intervals.

Trellis net measures 4 squares across by 9 squares down. Any excess netting may be trimmed off with scissors.

©2021 Novelty Manufacturing Co.
1330 Loop Road, Lancaster, PA 17601

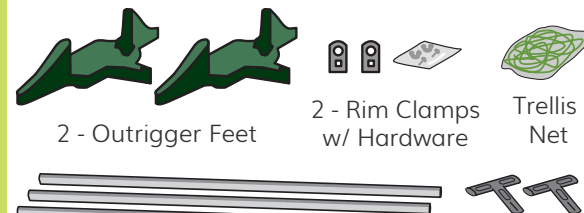


3 ft. | 5 ft. | 7 ft.
STAKING SYSTEM

PATENT # 7,966,768

INSTRUCTION MANUAL

Your Kit Includes:



2 - Outrigger Feet

2 - Rim Clamps w/ Hardware

Trellis Net



3 - 26½" Aluminum Tubes 2 - T-Connectors

Your Kit May Also Include:



2 OR 6 - Casters*



2 OR 4 - 29½" Crimped-End Aluminum Tubes*

*Based on item selection