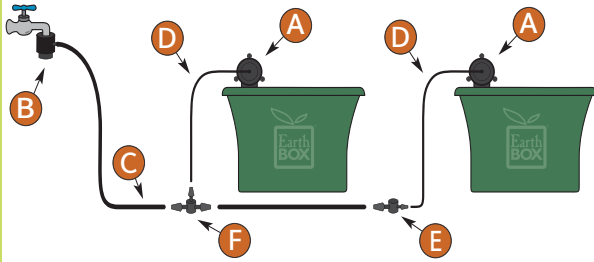




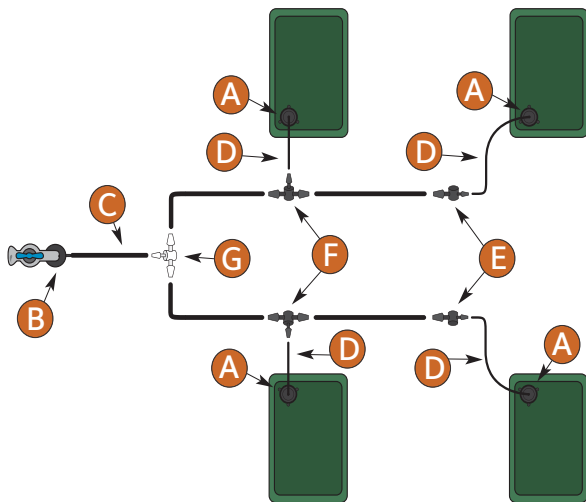
AUTOMATIC WATERING SYSTEM

INSTRUCTION MANUAL

SET-UP OPTION 1



SET-UP OPTION 2



HELPFUL HINT:

If you have difficulty assembling the tubing and connectors, you may use a non-petroleum-based product, such as silicone grease, to make it easier to assemble. DO NOT use petroleum jelly or oils.

PROPER CARE & STORAGE

Your Automatic Watering System (AWS) should be stored indoors over the colder months. Inside storage can help prevent residual water from freezing inside small parts, which can cause cracking.

TO STORE: Shut off water at the source and remove the Pressure Regulator. Inspect the filter screen for debris and clean as needed with a small brush.

Next, remove all the Sensors from the Water Fill Tubes and carefully clean any visible debris from the outside of the Sensor head. If you have your EarthBox® gardening systems set up in a specific way, you may want to label each Sensor with the corresponding box for easier set-up during the next growing season.

Without removing any of the tubing, carefully roll the system up so that it can fit into a large bag or plastic storage bin of your choice.

As you gather and roll the system, gently shake the tubing and Sensors to remove any residual water. Twist ties or zip ties can help secure the roll so that it does not unravel. Place your Automatic Watering System inside the bag or bin, and store indoors in a shed, garage, basement, or closet.

Failure to properly care for, maintain, and remove the Automatic Watering System from freezing temperatures may result in breakage or malfunction of the system.

©2021 Novelty Manufacturing Co.
1330 Loop Road, Lancaster, PA 17601

Your Package Includes:



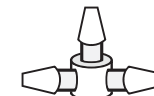
1 - Roll (Small) 1/8" Tubing



1 - Roll (Large) 1/4" Tubing



1 - Pressure Regulator



1 - Splitter



1 - Reducer

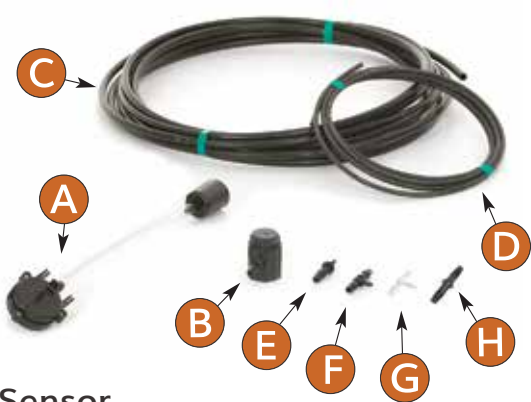


Sensors*



Black T-Connectors*

*Quantities vary based on system



A Sensor

Detects the water level in your EarthBox® gardening system. One is required for each EarthBox® gardening system you set up.

B Pressure Regulator

Regulates the pressure from your spigot. Each Pressure Regulator can water up to 30 EarthBox® gardening systems within 200' of the spigot. To work properly, the Pressure Regulator needs to be at the same height or higher than the Sensor.

C 1/4" Tubing (Large)

Transports water from the pressure regulator to the 1/8" tubing.

D 1/8" Tubing (Small)

Transports water from the 1/4" Tubing to the Sensor.

E Reducer

Connects the 1/4" tubing to the 1/8" Tubing. This is used on the last EarthBox® gardening system connected to the Automatic Watering System, or if you are only setting up one EarthBox® system.

F Black T-Connector

Splits the 1/4" Tubing to multiple EarthBox® gardening systems, and connects to the 1/8" Tubing. These are used only if you are setting up multiple EarthBox® gardening systems.

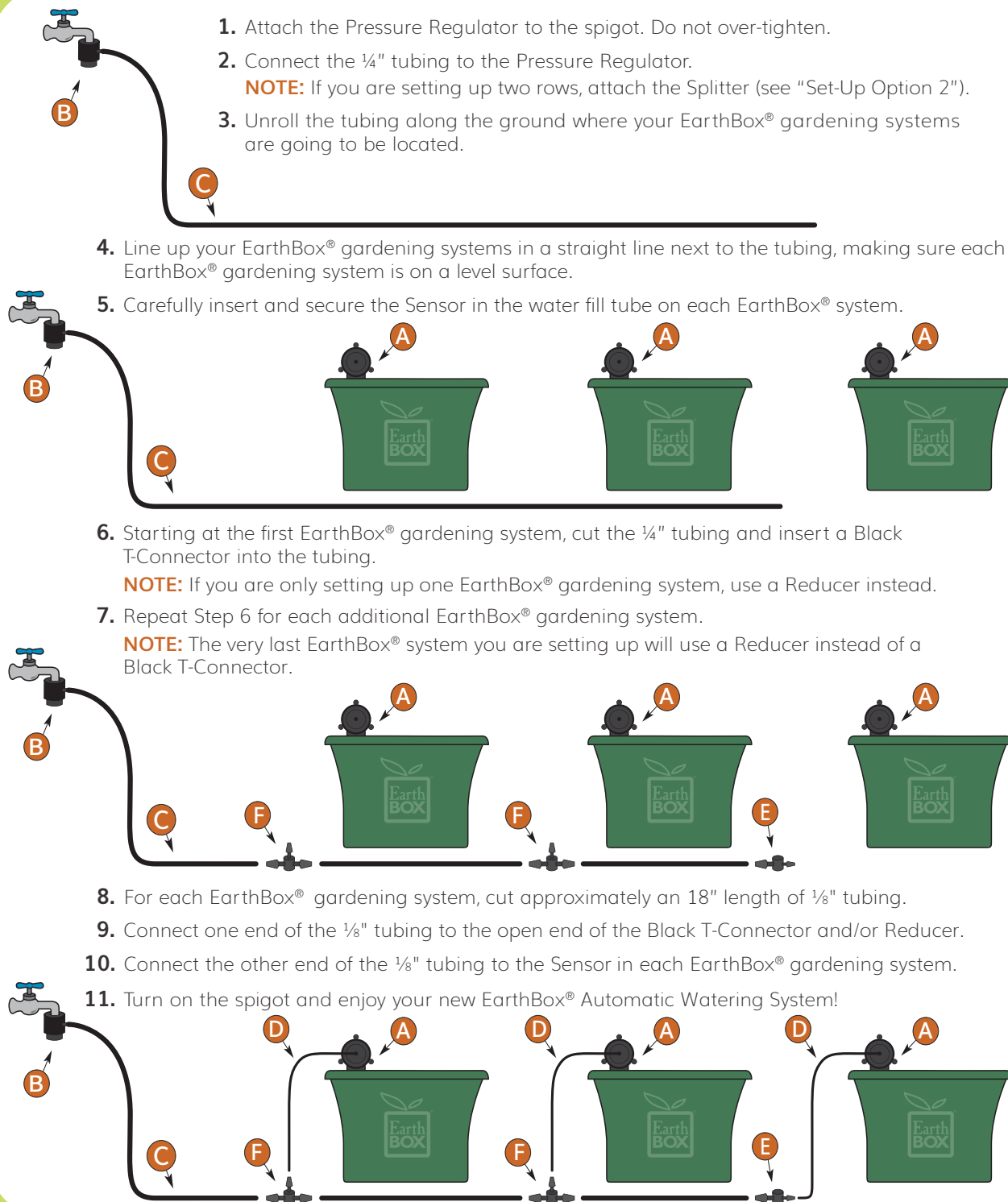
G 1/4" White Splitter

Splits the 1/4" Tubing. This is only used for the "Option 2" configuration.

H 1/4" Straight Connector*

Connects lengths of the 1/4" tubing together.

**Item Sold Separately*



1. Attach the Pressure Regulator to the spigot. Do not over-tighten.

2. Connect the 1/4" tubing to the Pressure Regulator.

NOTE: If you are setting up two rows, attach the Splitter (see "Set-Up Option 2").

3. Unroll the tubing along the ground where your EarthBox® gardening systems are going to be located.

4. Line up your EarthBox® gardening systems in a straight line next to the tubing, making sure each EarthBox® gardening system is on a level surface.

5. Carefully insert and secure the Sensor in the water fill tube on each EarthBox® system.

6. Starting at the first EarthBox® gardening system, cut the 1/4" tubing and insert a Black T-Connector into the tubing.

NOTE: If you are only setting up one EarthBox® gardening system, use a Reducer instead.

7. Repeat Step 6 for each additional EarthBox® gardening system.

NOTE: The very last EarthBox® system you are setting up will use a Reducer instead of a Black T-Connector.

8. For each EarthBox® gardening system, cut approximately an 18" length of 1/8" tubing.

9. Connect one end of the 1/8" tubing to the open end of the Black T-Connector and/or Reducer.

10. Connect the other end of the 1/8" tubing to the Sensor in each EarthBox® gardening system.

11. Turn on the spigot and enjoy your new EarthBox® Automatic Watering System!