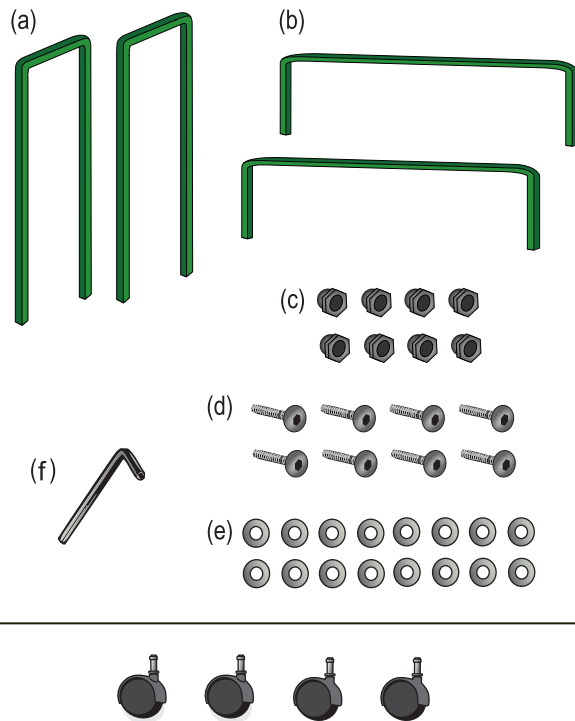


## Your Package Includes:

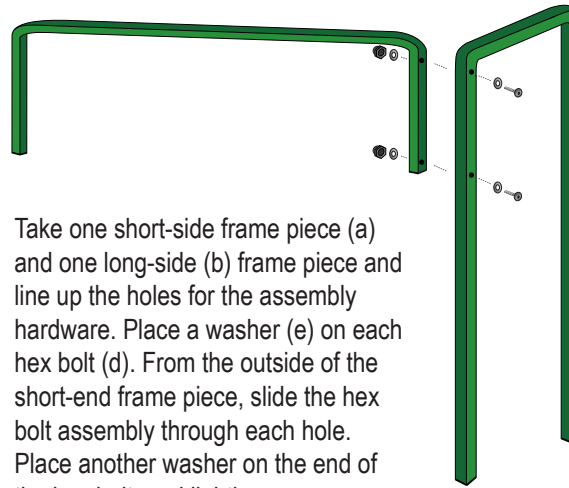
- (a) 2 short side frame pieces
- (b) 2 long side frame pieces
- (c) 8 cap nuts
- (d) 8 hex bolts
- (e) 16 washers
- (f) 1 hex key

In addition, you will need a small wrench. Make sure all components are handy before beginning assembly.



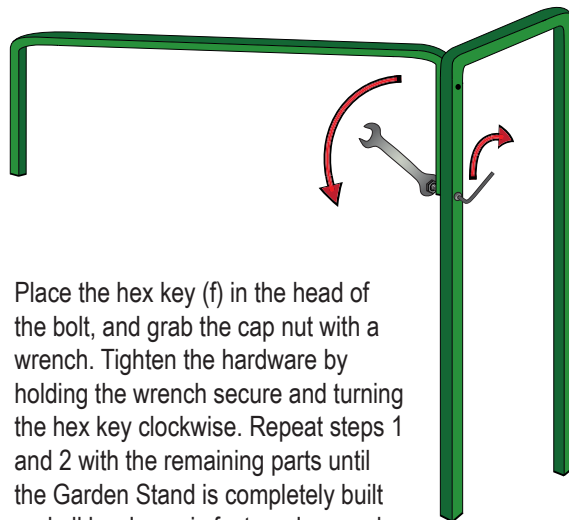
**NOTE:** Integrated sockets in the legs of the EarthBox® Garden Stand are compatible with EarthBox® casters for added mobility. Casters are included with the EarthBox® Garden Kit and EarthBox® Ready-To-Grow Kit. The EarthBox® Caster Kit may be purchased separately at [earthbox.com](http://earthbox.com).

## 1 Assemble Frames



Take one short-side frame piece (a) and one long-side (b) frame piece and line up the holes for the assembly hardware. Place a washer (e) on each hex bolt (d). From the outside of the short-end frame piece, slide the hex bolt assembly through each hole. Place another washer on the end of the hex bolt, and lightly screw on a cap nut (c).

## 2 Secure Hardware



Place the hex key (f) in the head of the bolt, and grab the cap nut with a wrench. Tighten the hardware by holding the wrench secure and turning the hex key clockwise. Repeat steps 1 and 2 with the remaining parts until the Garden Stand is completely built and all hardware is fastened securely.

## 3 Insert Casters (Optional)

If casters are desired, insert them into each leg of the Garden Stand. Place an EarthBox® gardening system in the Garden Stand from the top. The lip of the EarthBox® gardening system will rest on the top edge of the Garden Stand frame. Follow separate EarthBox® Instruction Manual for set-up and planting guidelines.



**NOTE:** The Garden Stand may be used as a planting station for your EarthBox® gardening systems to reduce bending during planting or replanting; or it may be used to grow herbs, greens, flowers, and other low-growing plants during your growing season. The Garden Stand is not recommended for growing tall or top-heavy crops, such as tomatoes.

## IMPORTANT INFORMATION:

Please read these cautions before assembly.



### SAFETY WARNING:

Not intended for use with EarthBox® Staking System. Not recommended for growing top-heavy or vining crops. Keep Garden Stand out of strong winds to prevent from tipping. Keep casters in locked position. Ensure all hardware has been tightened using provided tools.



### SAFETY WARNING:

This product is not a toy. Children should be supervised by an adult when using this product. Product should be secured when not in use to prevent accidental tipping which can cause injury or death to small children.



### CHOKING HAZARD:

WARNING - CHOKING HAZARD:  
Contains small parts. Not intended for children under 3 years of age.

## Have a Question?

Speak to a Customer Service Representative by calling directly

800.442.7336

Mon. - Fri. 8 a.m. - 4:30 p.m. EST

## Stay Connected:



# GARDEN STAND

## INSTRUCTION MANUAL

EarthBox® by Novelty Manufacturing Co.

1330 Loop Road

Lancaster, PA 17601

[www.earthbox.com](http://www.earthbox.com) | [www.noveltymfg.com](http://www.noveltymfg.com)

**Order 24/7:**

800.442.7336

**Customer Service:**

800.442.7336

Mon.-Fri. 8 a.m.-4:30 p.m. EST